

# PB15 SERIES LED PUSH BUTTON SWITCHES

带灯轻触开关

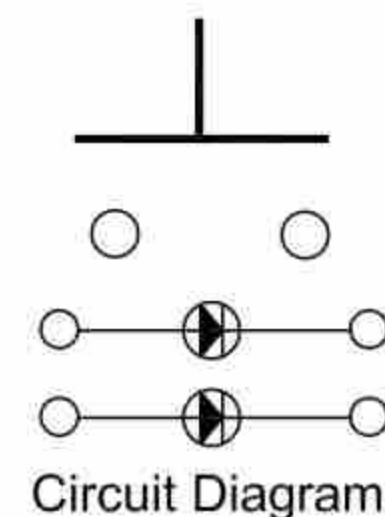
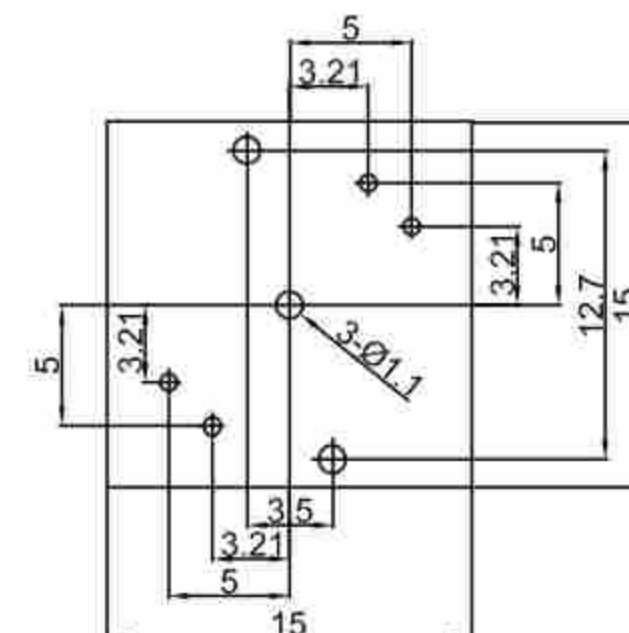
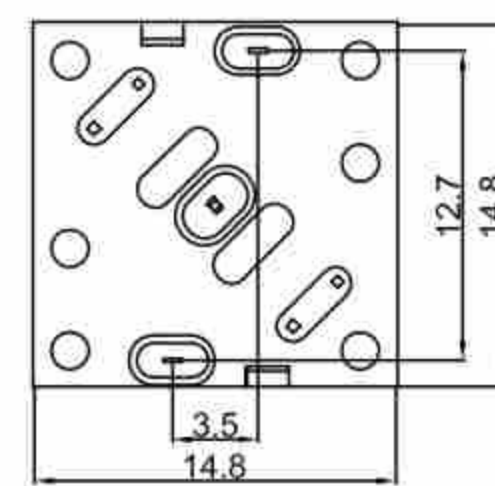
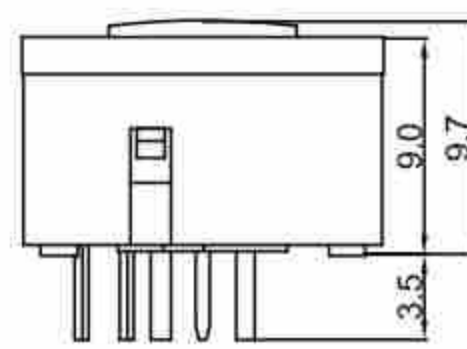
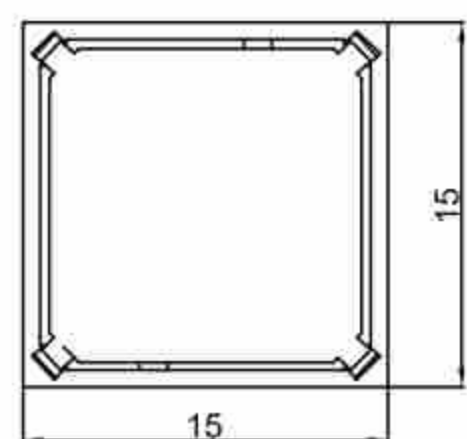
带灯按钮开关



按钮开关



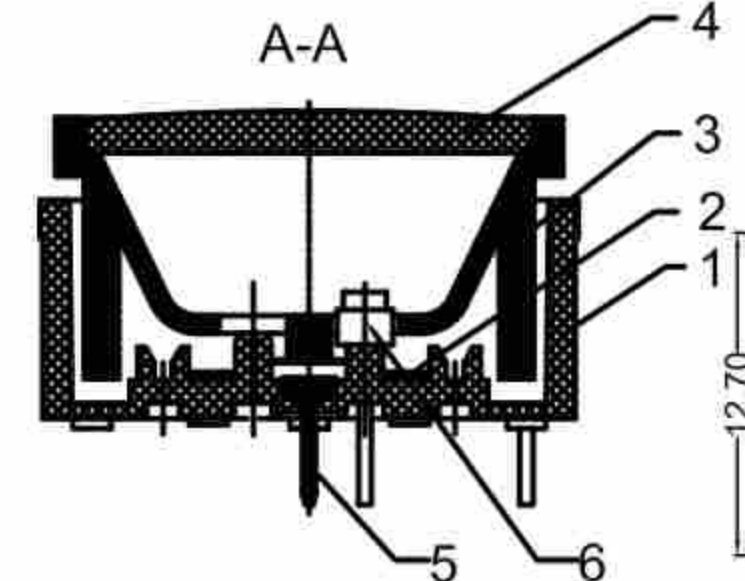
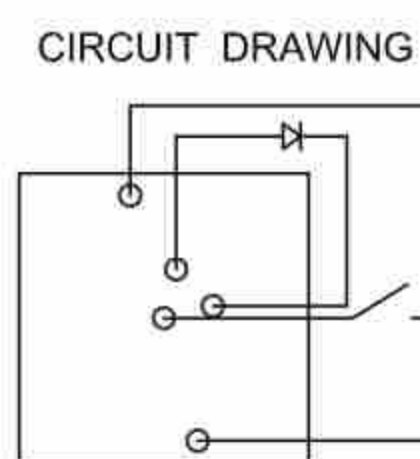
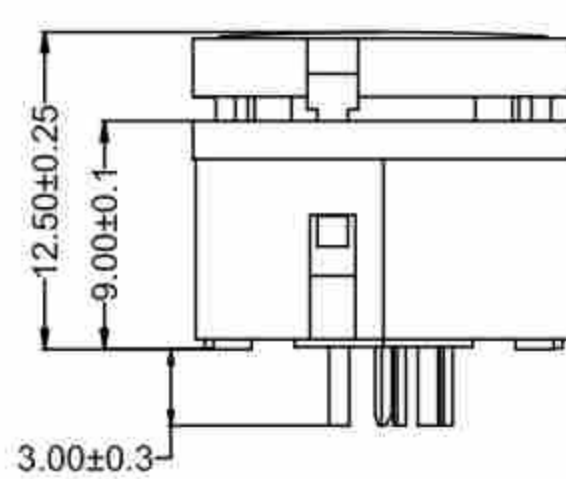
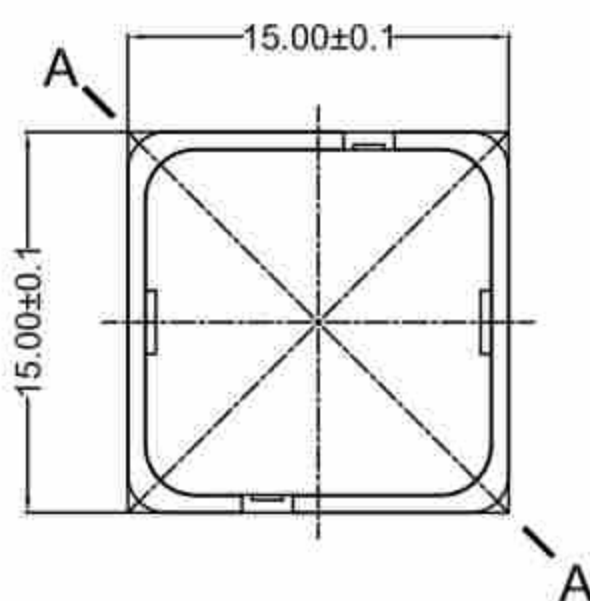
PB15-Y1YG



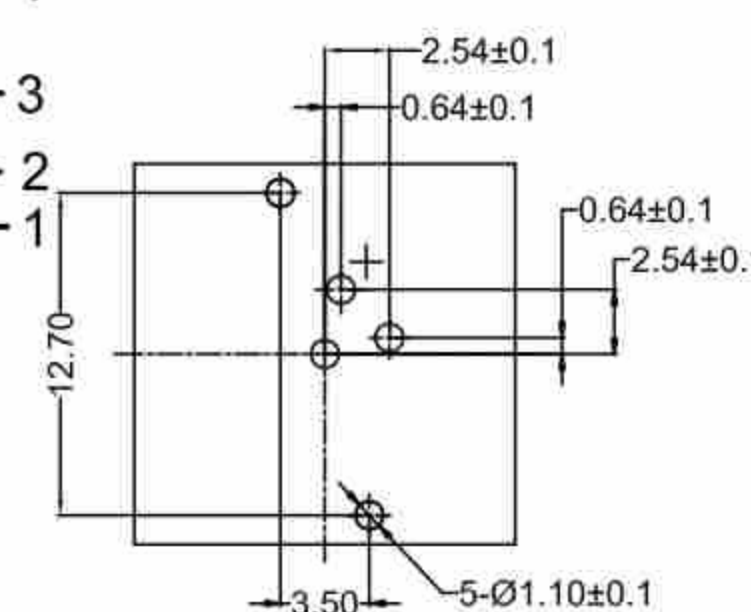
金属按钮开关



PB15-U1U



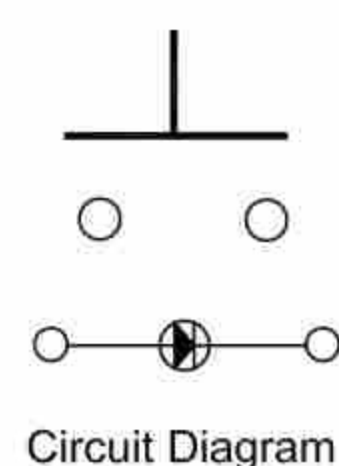
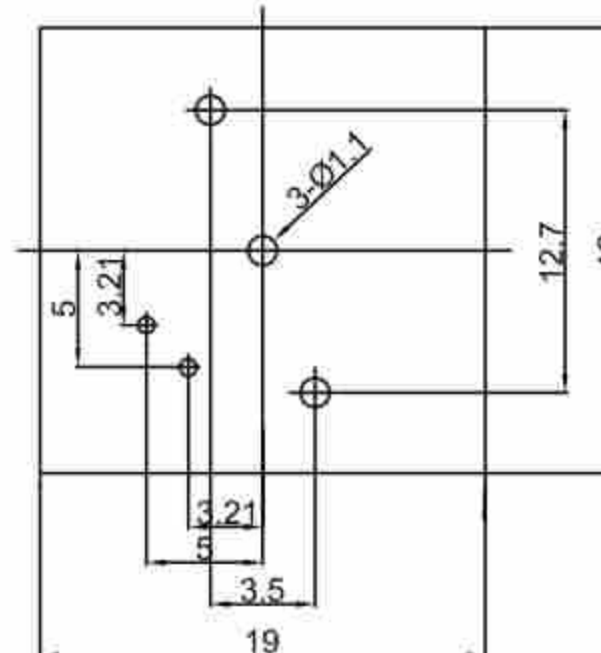
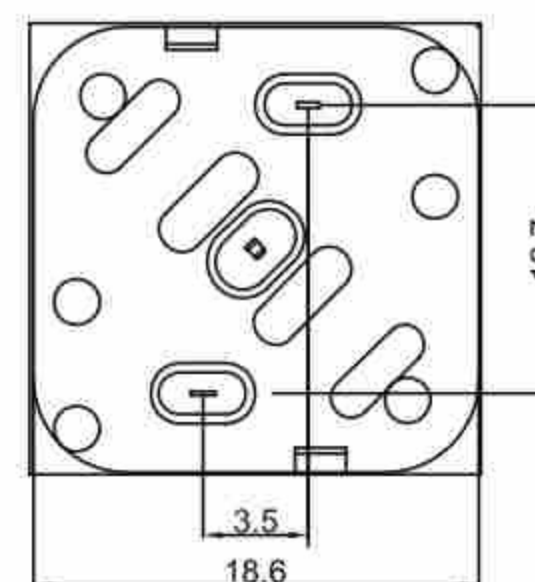
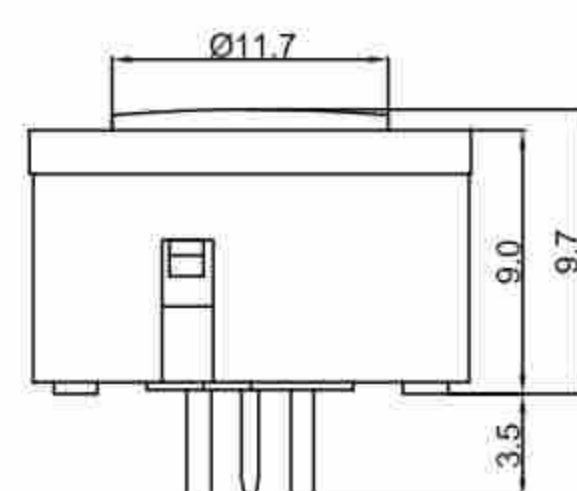
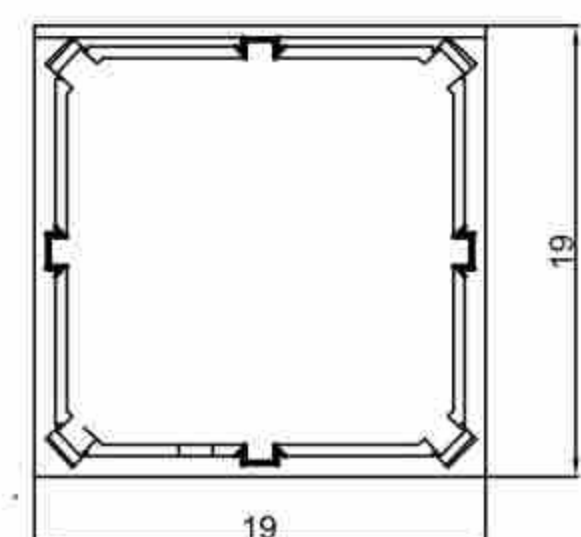
PC MOUNTING



翘板开关



PB19-R1R



保险丝座

光电触摸开关

旋转开关

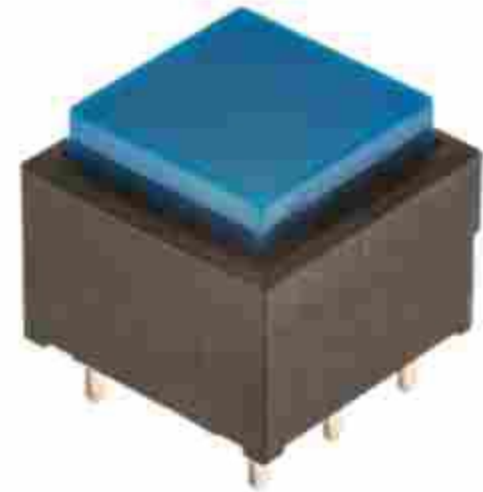
PB 15		T 1 R			
Model 型号	Size 外形尺寸	Cap Color 上盖颜色	With LED 带灯	LED Color LED颜色	
15	15X15mm	T Transparence 透明	0 None LED 不带灯	N	None
19	19X19mm	Y Yellow 黄色	1 One LED 单灯	R	Red 红色
		G Green 绿色		G	Green 绿色
		R Red 红色		Y	Yellow 黄色
19	19X19mm	R Red 红色	2 Double LED 双灯	RG	Red/Green 红绿双灯
				YG	Yellow/Green 黄绿双灯
				RU	Red/Yellow 红黄双灯

## SPECIFICATIONS

Circuit	:SPST
Current Rating	:100mA
Voltage Rating	:42VDC 42VAC
Dielectric withstanding voltage	:2000VAC for 1 minute
Contact Resistance	:100mΩ Max .(intial)
Insulation Resistance	:100MΩ Min.
Operaring life	:2,000,000 Cycles Min
Soldear Specifications	:256°C for 5 Seconds
Openrating Temperature	:-20°C ~ +70°C



PB46-A-23M-B-R-1R



PB46-A-23M-B-U-2RG



PB46-B-13A-B-T-1O



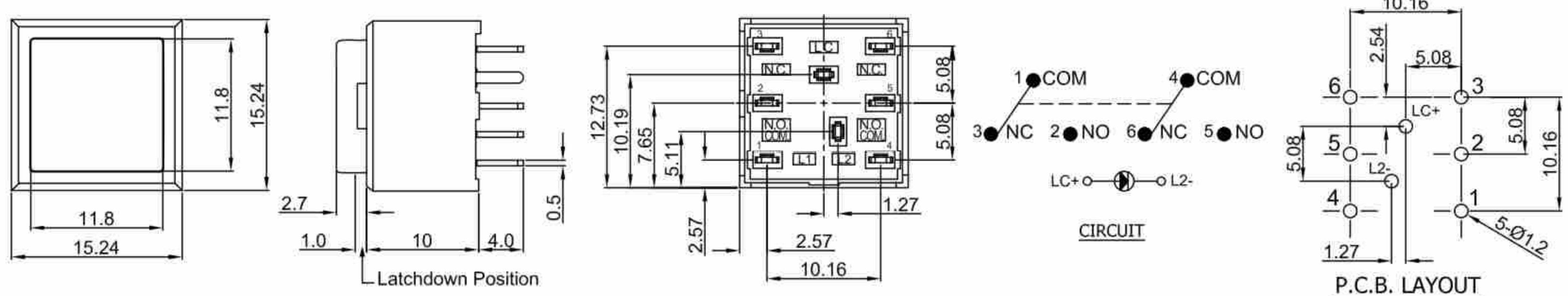
PB46-B-13M-B-T-1G

## SPECIFICATIONS

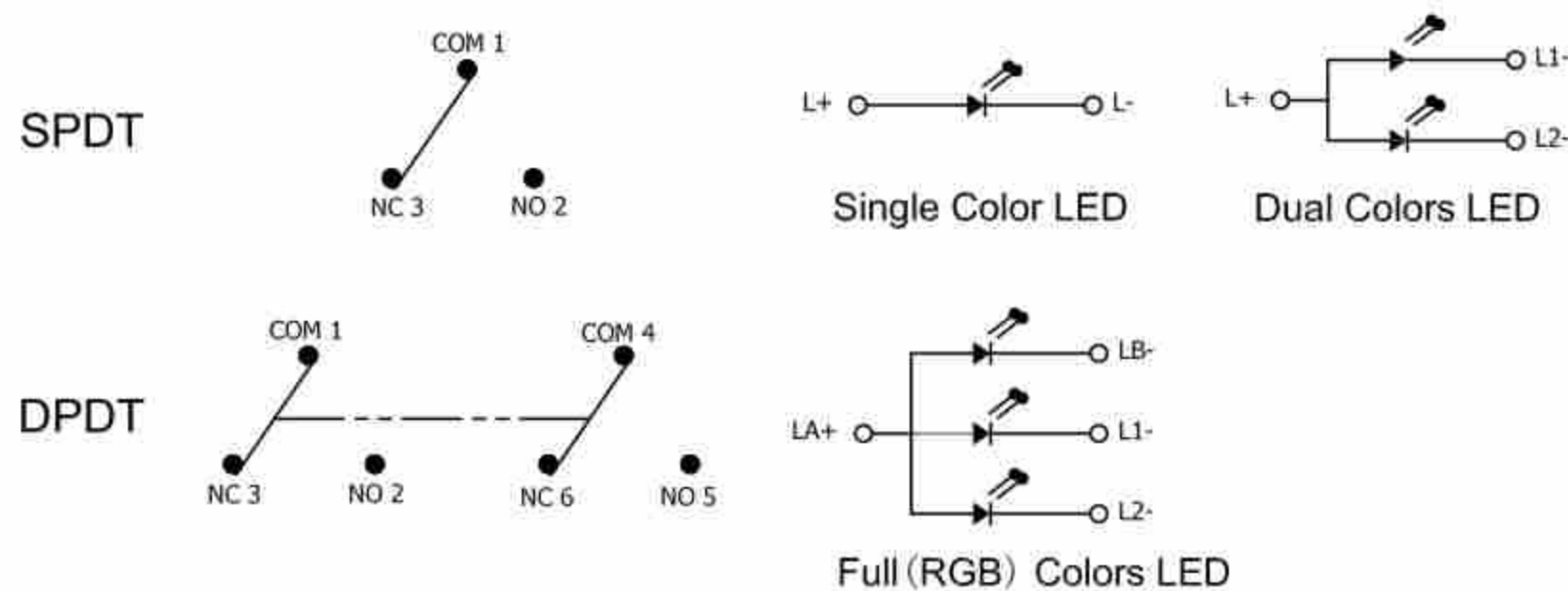
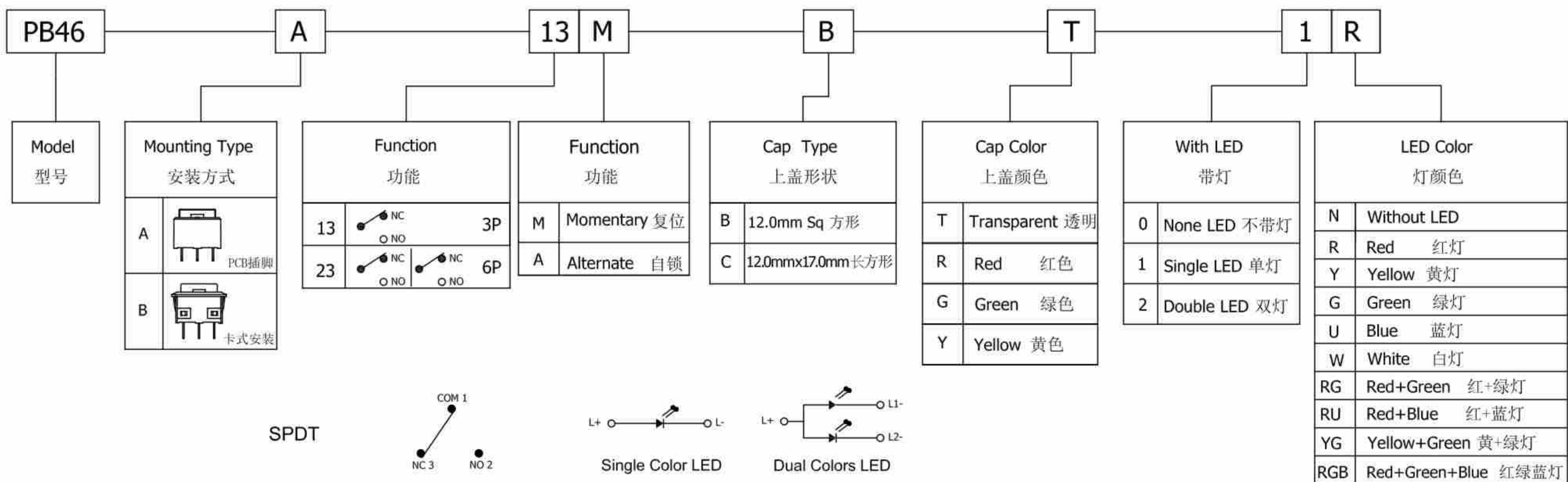
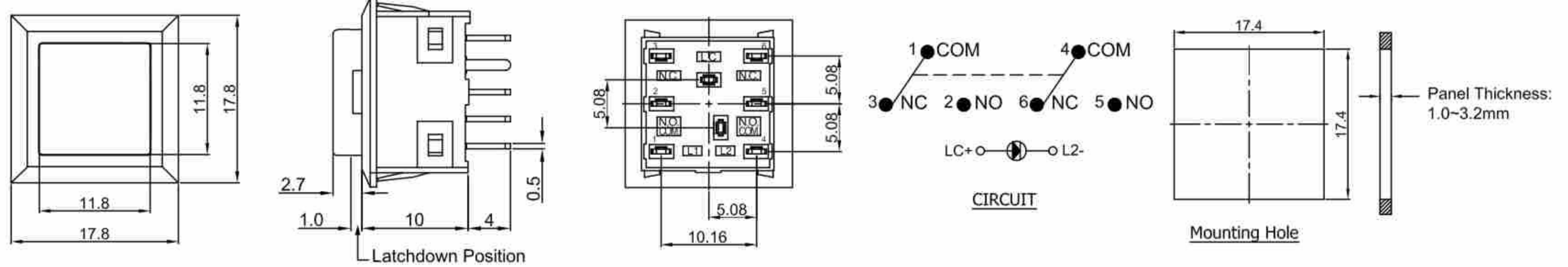
Circuit	: SPDT DPDT
Rating	: 0.4VA 28VDC
Contact resistance	: 100mΩMax
Insulation resistance	: DC500V 100MΩMin.
Withstand voltage	: AC500Vfor 1minute;
Operating Force	: Single pole:200±100gf; : Double pole:300±100gf;
Total Travel	: 2.0±0.5mm
Mechanical life	: Over 200,000cycles;
Electrical life	: Over 30,000cycles
Manual welding	: 350°Cfor 3 seconds
Opernating Temperature	: -25°C~ +70°C



PB46-A-23M-B-W-1W



PB46-B-23M-B-T-1R



带灯轻触开关

带灯按钮开关

按钮开关

金属按钮开关

翘板开关

保险丝座

光电触摸开关

旋转开关